

MAGNETIC HYDRAULIC BRINELL HARDNESS TESTER



BHB-750

Fix the test head of hardness tester on the iron and steel part by the magnetic attractive force. The core part of this magnetic type Brinell tester is a small hydraulic system. The operator could actuate the hydraulic pump to produce 750kg test force by operating the pressure lever. There is a control valve in the hydraulic system which is used for controlling the test force. When the test force comes to 750kg, the control valve will immediately turn on and off, with the force falling down. According to the ASTM E110 and GB/T 4285, keep loading test force to make indicator hand points at 750kg for 3 to 4 times. It is an accurate and high qualified portable hardness tester for metal, and is equivalent to the regulation of Brinell hardness testing approach to hold test force for 10 to 15 seconds.

BANBROS ENGINEERING PVT. LTD.

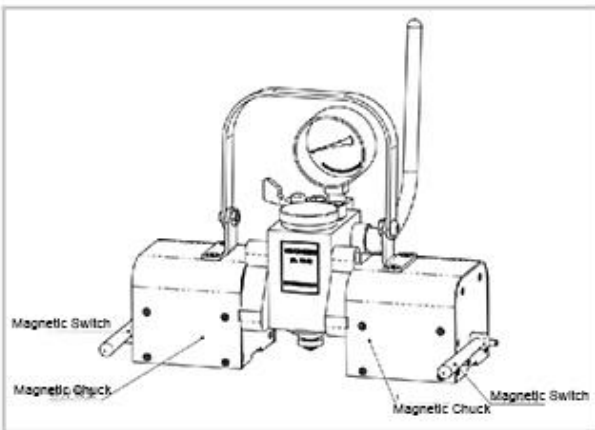
49/39, Site IV Industrial Area, Sahibabad,
Ghaziabad - 201010, Uttar Pradesh
Phone: +91 - 0120 - 4556371-76
Email: info@banbrosindia.com, sales@banbrosindia.com

Instrument Features

- Test available if attached to one side of part.
- No need to move the part.
- No need to search for ascot for clamping.
- Test condition of 5mm test ball, 750 kgf test force, causes a larger indentation and better representativeness and easier to read than 2.5 mm test ball condition.
- Compared with other hydraulic brinell hardness tester, simpler operation, easier to carry.
- if surface available, test materials, part and structural steel in any shape and size.

Application

- For casting, forging, steel plates, structural and die steel, which other tester could not test or hard to test.
- For macro axis, crossbeam, huge or super-huge heat treatment parts.
- For pipe, huge equipments and hug steel structural parts that welded or assembled already.
- Only for the magnetizer steel.



01. Design of Magnetic type

Test can be finished as long as tester attached to one side of the specimen.

02. Test on site

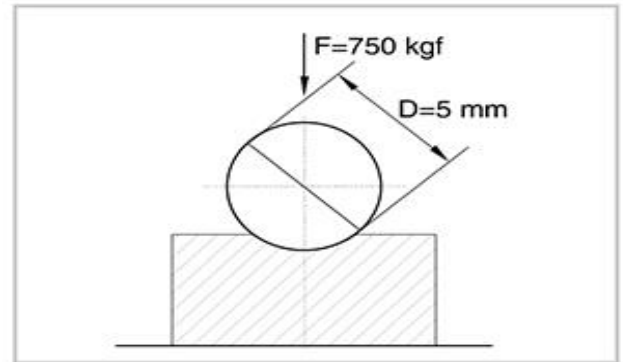
The hardness test can be finished with no need for moving specimen.





03. Quality check after assembling

Used in the test for welded or assembled pipes, large-scale equipment and steel structure parts.



04. High reliability

A 5mm test ball and 750kg test force are applied in the test. Compared with the 2.5mm test ball condition, it has a larger indentation and better representativeness, and it is easier to read.

Technical Specifications

Model	BHB-750
Test force	750kg
Test ball	5mm hard alloy ball
Test range	100~650HBW
Indication error	Comply with ISO 6506, and ASTM E10.
Repeatability error	Comply with ISO 6506, and ASTM E10.
Test force error	Comply with ISO 6506, and ASTM E10.
Weight	15.8kg
Surface	Flat: area≥290mm×90mm Cylinder: diameter≥120mm

BANBROS ENGINEERING PVT. LTD.

49/39, Site IV Industrial Area, Sahibabad,
 Ghaziabad - 201010, Uttar Pradesh
 Phone: +91 - 0120 - 4556371-76
 Email: info@banbrosindia.com, sales@banbrosindia.com