



BANBROS ENGINEERING PVT. LTD.

The Precision Measurement People

HORIZONTAL PROFILE PROJECTOR WITH DIGITAL DATA PROCESSOR



- *VALUE*
- *VERSATILITY*
- *PERFORMANCE*

BPH-SERIES



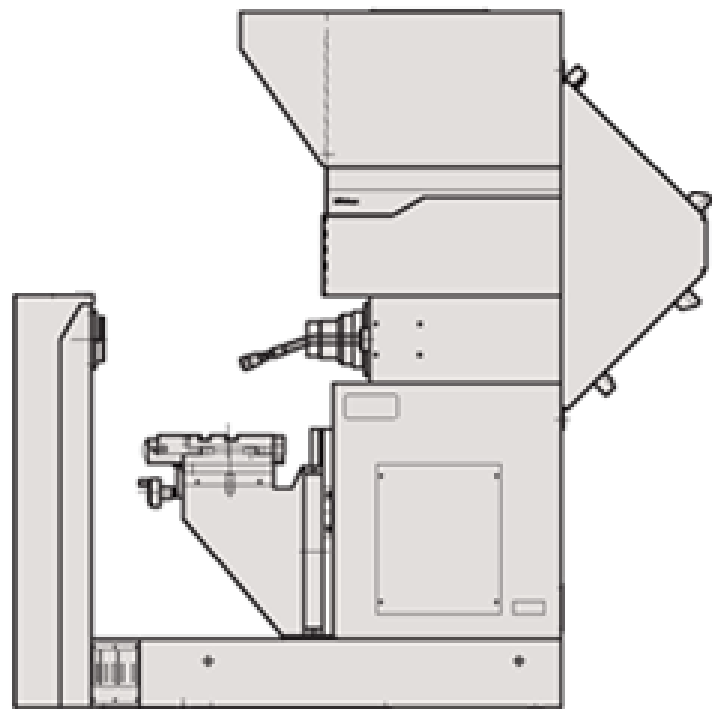
BANBROS Horizontal Profile Projectors that has a wide lens magnification range. These Profile Projectors comes with a horizontal light axis, the helix angle adjustment of the work stage ensures a perfect thread form projection. Moreover, the work stage of these optical shadowgraph has highly accurate linear guide ways.

DESCRIPTION: -

This instrument can test effectively profile, section and surface shapes of various complicated work pieces, such as templates, punching pieces, cams, gears, forming cutters, mercerizes etc. It is widely used in workshops and measuring stations of those industry: machinery, instrument & meter, watch making, mould and electron etc.

FEATURES: -

- It is horizontal structure, so it is convenient to measure axial work-pieces, and it has a long working distance.
- The up and down movement system and work table transmission both adopt the imported V-style straight-line guide, so transmission is very smooth and comfortable.
- Two kinds of illumination systems (high and low levels) can meet various illumination requirements of different work pieces and materials.
- Reflecting illumination adopts fibre-optic transmission, so it has the characteristics of small volume, high-brightness and convenient operation
- Worktable is made of aluminium alloy material, so it is very light.
- Image of is clear and symmetrical
- It is convenient to trim and file the templates, mould and axial work-piece on the worktable.
- Powerful built-out digital displayer is convenient for operation.
- Worktable can deflect $\pm 15^\circ$, so it is available to measure screw angle work-pieces.



**TECHNICAL SPECIFICATIONS: -**

MODEL	BPH-12AZ	BPH-16AZ	BPH-20AZ	BPH-24AZ
Screen dia	300 mm	400 mm	500 mm	600 mm
Magnification	10X	10X	10X	10X
Work Stage	300 x 200mm	550 x 200mm	650 x 300mm	650 x 300mm
Travel	150 x 100mm	170 x 135mm	220 x 170mm	270 x 170mm
Movement	With fine pitch lead-screw	With fine pitch lead-screw	With fine pitch lead-screw	With fine pitch lead-screw
Dist. Between centre	150mm	300mm	300mm	300mm
Centre height	75mm	150mm	150mm	150mm
Illumination	24V-150W halogen bulb	24V-150W halogen bulb	24V-150W halogen bulb	24V-150W halogen bulb
Lens Mounting	Insert	Turret type	Turret type	Turret type
Accuracy	0.10% on dia & 0.15% on Surface	0.10% on dia & 0.15% on Surface	0.10% on dia & 0.15% on Surface	0.10% on dia & 0.15% on Surface

***Image is for reference only Due to product upgradation the image & specification are subject to change.**